



SPECIFICATION

10W LED FLOODLIGHT

Product name: LED FLOODLIGHT
Item No : CS-FL-M10
Power : 10W
LED : 1PCS*10W LED
Input Voltage: AC110-240V

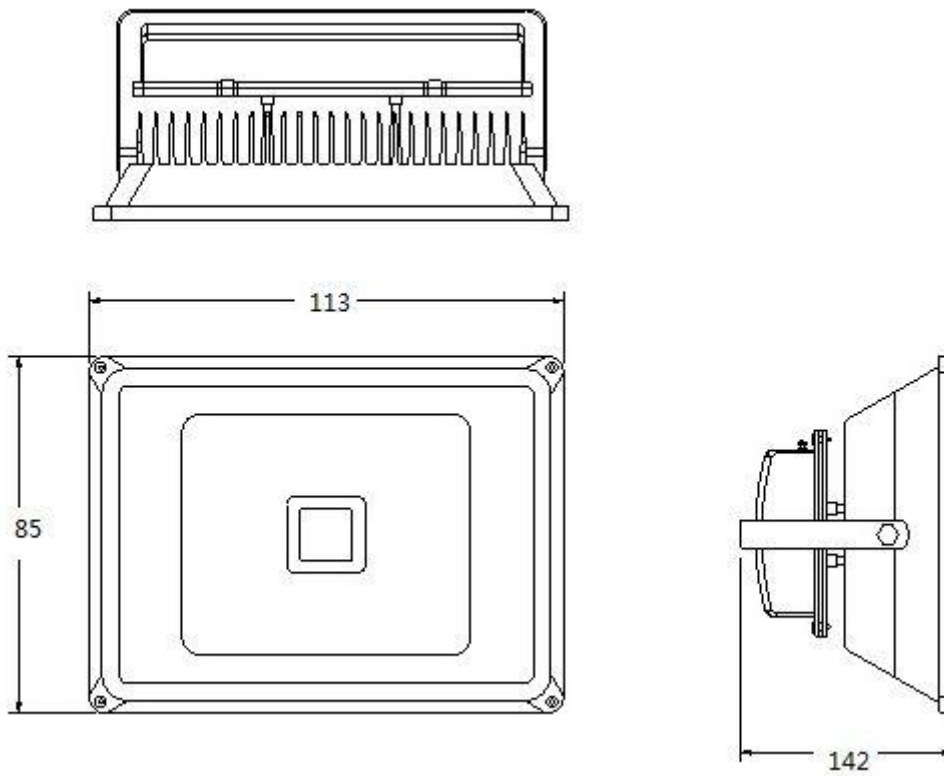
【Technology specification】

1) Floodlight parameter

Input Voltage		AC 110-240V
Frequency		50Hz ~ 60Hz
LED Consumption		10 W
System Consumption		12 W
LED Luminous Efficiency		90Lm /W
LED Initial Flux		100 Lm
Lamp's Efficiency		> 88 %
Average Illumination	1M	100 Lux
	3M	12 Lux
	5M	4 Lux
Illumination Area	1M	φ2 M
	3M	φ7 M
	5M	φ12 M
Illumination Uniformity		> 0.5
Color Temperature		Refer to LED Parameter
Color Rendering Index		>75
Light Distribution		Symmetric / circular spot
Light Design		LED+ Reflector
Junction Temperature		≤80°C
Working Temperature		-40°C ~ 55°C
Storage Temperature		-25°C ~ +65°C (25°C the best)
IP Grade		IP65
Net weight		0.7 Kg
Working Life-span		30000H
Power line		0.75mm ² three core wire
Connect Wire	Brown	L (live line)
	Blue	N (neutral line)
	Yellow/Green	G (ground line)
Certification		CE
The color of the lamp housing		Die-casting aluminum Silvery white/Black

*****Note : Different color temperature of the LED optical property have deviation value≤5%

2) Size parameter(unit:mm)



3) Photometric data :

