



SPECIFICATION

20W LED FLOODLIGHT

Product name: LED FLOODLIGHT
Item No : CS-FL-M20
Power : 20W
LED : 1PCS*20W LED
Input Voltage: AC 110-240V

【Technology specification】

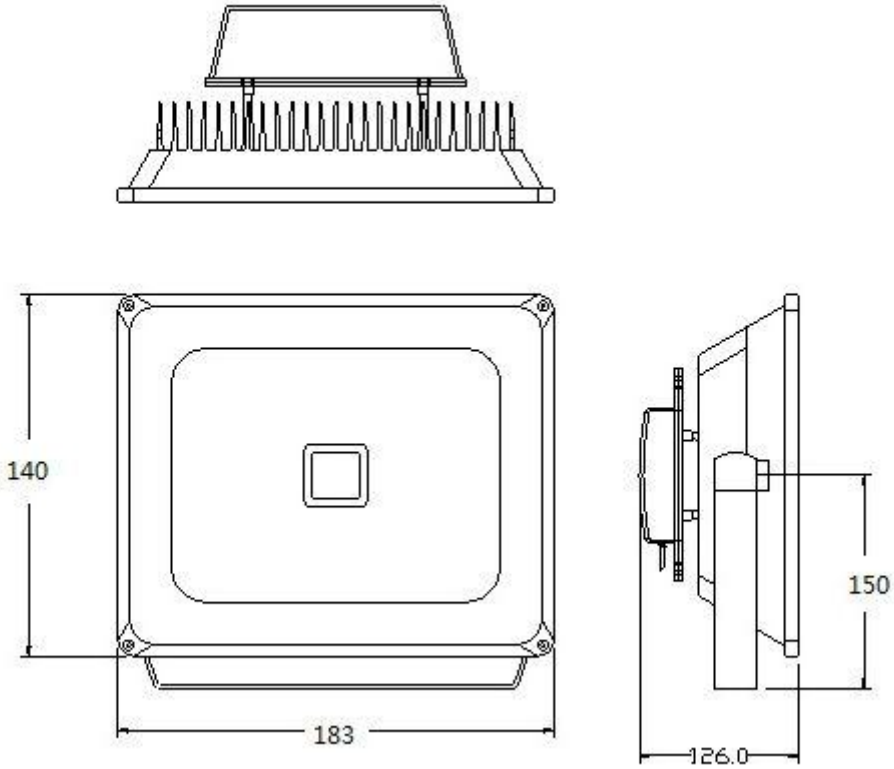
1) Floodlight parameter

Input Voltage		AC 110-240V
Frequency		50Hz ~ 60Hz
LED Consumption		20 W
System Consumption		22W
LED Luminous Efficiency		90 Lm /W
LED Initial Flux		1600 Lm
Lamp's Efficiency		> 88 %
Average Illumination	4M	11 Lux
	6M	5 Lux
	8M	3 Lux
Illumination Area	4M	φ10 M
	6M	φ14 M
	8M	φ19 M
Illumination Uniformity		> 0.5
Color Temperature		Refer to LED Parameter
Color Rendering Index		Ra > 75
Light Distribution		Symmetric / circular spot
Light Design		LED+ Reflector
Junction Temperature		≤80°C
Working Temperature		-40°C ~ 55°C
Storage Temperature		-25°C ~ +65°C (25°C the best)
IP Grade		IP65
Net weight		1.3 Kg
Working Life-span		30000H
Power line		0.75mm ² three core wire
Connect Wire	Brown	L (live line)
	Blue	N (neutral line)
	Yellow/Green	G (ground line)
Certification		CE

The color of the lamp shell	Silvery white/Black
-----------------------------	---------------------

*****Note : Different color temperature of the LED optical property have deviation value $\leq 5\%$

2) Size parameter(unit:mm)



5) Photometric data :

