



SPECIFICATION

30W LED FLOODLIGHT

Product name: LED FLOODLIGHT
Item No : CS-FL-M30
Power : 30W
LED : 1PCS*30W LED
Input Voltage: AC110-240V

【Technology specification】

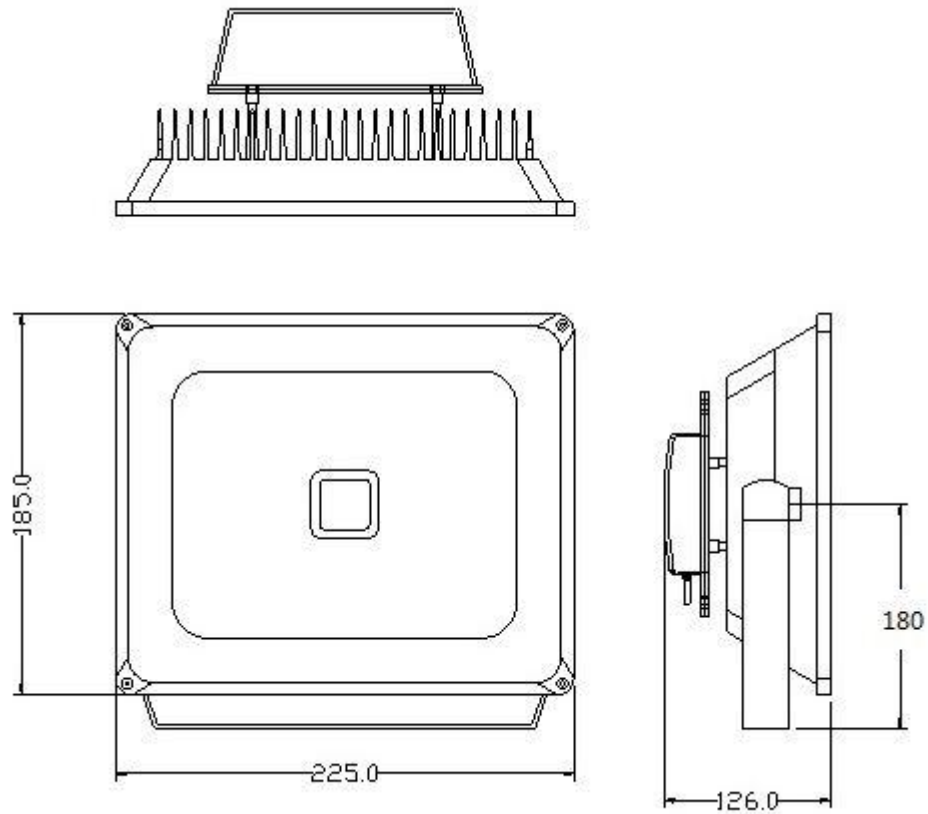
1) Floodlight parameter

Input Voltage		AC 110-240V	
Frequency		50Hz ~ 60Hz	
LED Consumption		30 W	
System Consumption		33 W	
LED Luminous Efficiency		90Lm /W	
LED Initial Flux		2400 Lm	
Lamp's Efficiency		> 88 %	
Average Illumination	1M	245 Lux	
	3M	28 Lux	
	5M	10 Lux	
Illumination Area	1M	φ3 M	
	3M	φ9 M	
	5M	φ1.5 M	
Illumination Uniformity		> 0.5	
Color Temperature		Refer to LED Parameter	
Color Rendering Index		Ra > 75	
Light Distribution		Symmetric / circular spot	
φ	Light Design		LED+ Reflector
Junction Temperature		≤80°C	
Working Temperature		-40°C ~ 55°C	
Storage Temperature		-25°C ~ +65°C (25°C the best)	
IP Grade		IP65	
Net weight		2.00 Kg	
Working Life-span		30000H	
Power line		0.75mm ² three core wire	
Connect Wire	Brown	L (live line)	
	Blue	N (neutral line)	
	Yellow/Green	G (ground line)	
Certification		CE	
The color of the lamp shell		Silvery white/Black	

*****Note : Different color temperature of the LED optical property have deviation

value≤5%

2) Size parameter (unit:mm)



3) Photometric data :

