



SPECIFICATION

50W LED FLOODLIGHT

Product name: LED FLOODLIGHT

Item No : CS-FL-M50

Power : 50W

LED : 1PCS*50W LED

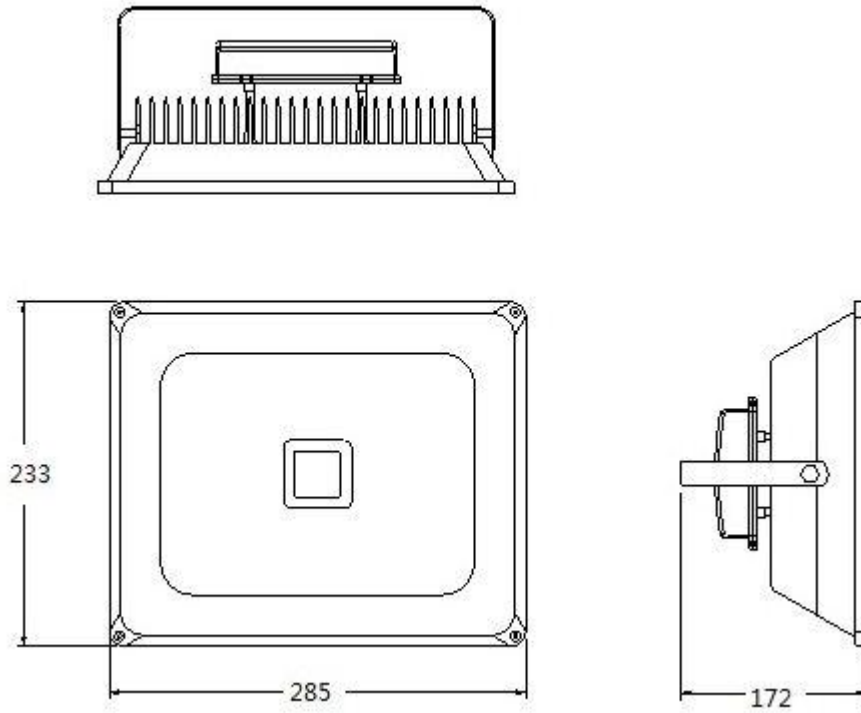
Input Voltage: AC110-240V

【Technology specification】

Input Voltage		AC 110-240V
Frequency		50Hz ~ 60Hz
Led power Consumption		50 W
System power Consumption		53 W
LED luminous efficiency		95 Lm /W
Led Initial luminous Flux		4180 Lm
lamp's Efficiency		> 88 %
Average Illumination	4M	32 Lux
	6M	14 Lux
	8M	8 Lux
Illumination Area	4M	φ10 M
	6M	φ14 M
	8M	φ19 M
Illumination Uniformity		> 0.5
Color Temperature		Refer to LED Parameter
Color Rendering Index		Ra > 75
Light Distribution		Symmetric / circular spot
Light Design		LED+ Reflector
L LED Junction Temperature		≤80°C
Working Temperature		-40°C ~ 55°C
Storage Temperature		-25°C ~ +65°C (25°C the best)
IP Grade		IP65
Net weight		3.10 Kg
Working Life-span		30000 Hrs
Power line		0.75mm ² three core wire
Wire Connecting (The color of the lamp shell)	Brown	L (live line)
	Blue	N (neutral line)
	Yellow/Green	G (ground line)
Certification		CE
The color of the lamp shell		Silvery white/Black

*****Note : Different color temperature of the LED optical property have deviation values≤5%

2) Size parameter



3) Photometric data :

