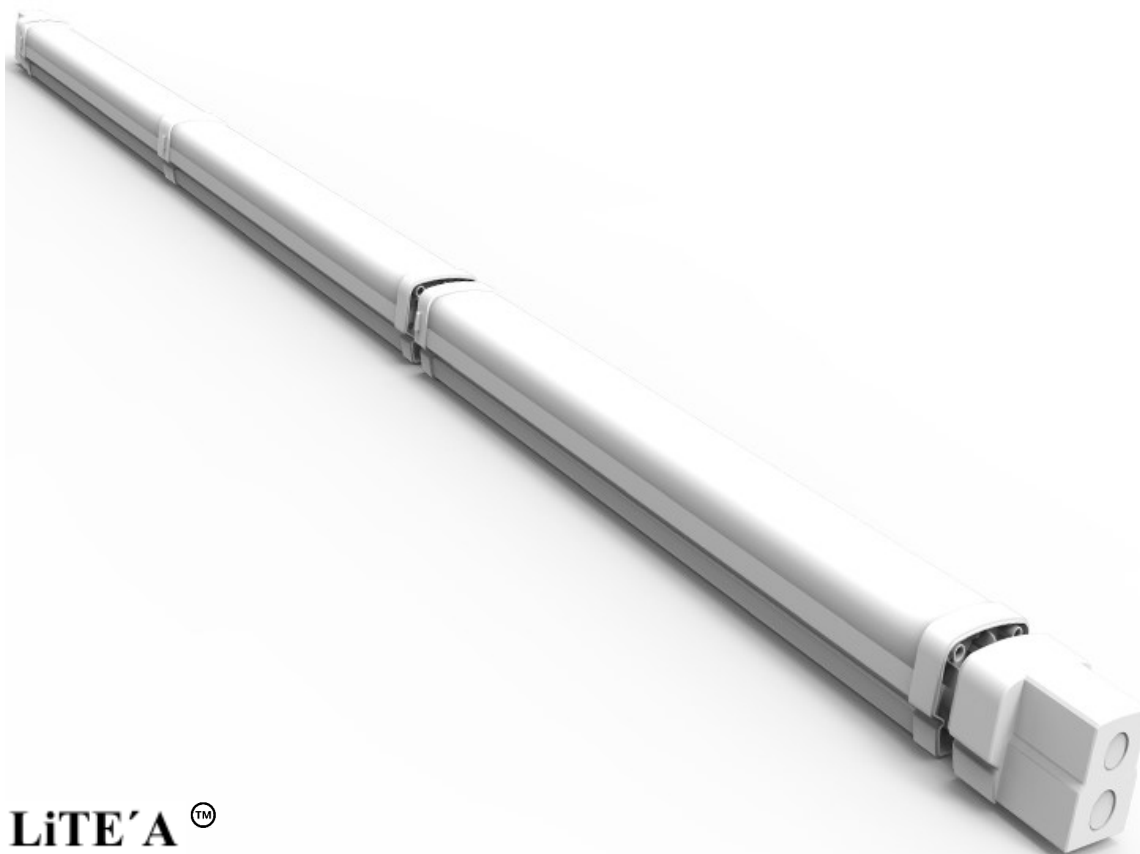


Linkbar LED-armatur







LiTE'A™



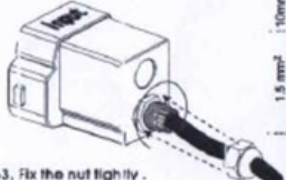

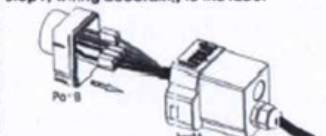

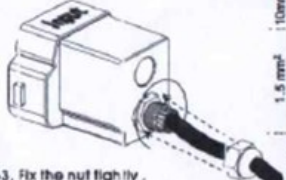


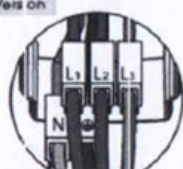
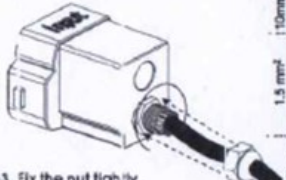

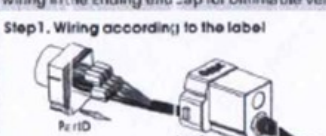
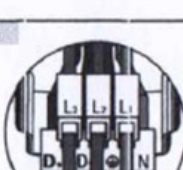
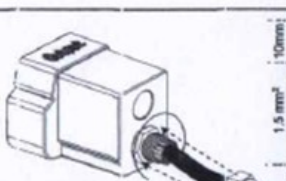
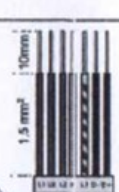
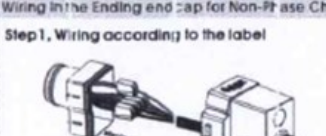

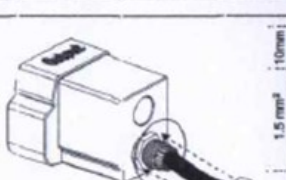
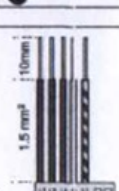
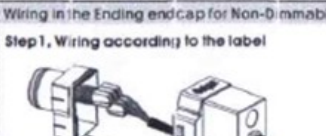
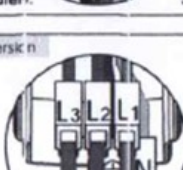
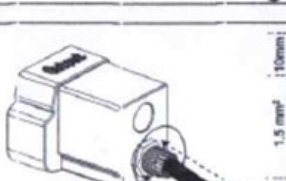
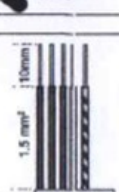
• Tool free and quick installation

2 Seconds

saving installation labor cost directly

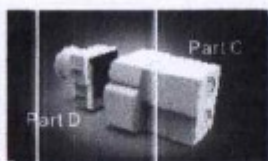
-  CCT Tunable
-  Emergency power pack
-  Motion Sensor
-  Phase Change

Model No.	Wattage	Dimension	Lumen	Model No.	Wattage	Dimension	Lumen
ILX06-18YZE	18W	600mm	2000lm	ILX15-30YZE	30W	1500mm	3600lm
ILX12-25YZE	25W	1200mm	3000lm	ILX15-40YZE	40W	1500mm	5000lm
ILX12-40YZE	40W	1200mm	5000lm	ILX15-50YZE	50W	1500mm	6500lm
ILX12-60YZE	60W	1200mm	7500lm	ILX15-75YZE	75W	1500mm	9500lm

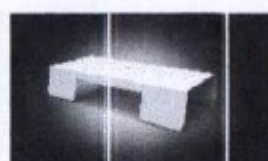
Wiring in the Feed-in endcap for Dimmable Version Step 1, Wiring according to the label 				
Step 2, Put the Part B into Part A endcap appropriately.		Step 3, Fix the nut tightly.		
Wiring in the Feed-in endcap for Non-Phase Change Step 1, Wiring according to the label 				
Step 2, Put the Part B into Part A endcap appropriately.		Step 3, Fix the nut tightly.		
Wiring in the Feed-in endcap for Non-Dimmable Version Step 1, Wiring according to the label 				
Step 2, Put the Part B into Part A endcap appropriately.		Step 3, Fix the nut tightly.		
Wiring in the Ending endcap for Dimmable Version Step 1, Wiring according to the label 				
Step 2, Put the Part D into Part C endcap appropriately.		Step 3, Fix the nut tightly.		
Wiring in the Ending endcap for Non-Phase Change Step 1, Wiring according to the label 				
Step 2, Put the Part D into Part C endcap appropriately.		Step 3, Fix the nut tightly.		
Wiring in the Ending endcap for Non-Dimmable Version Step 1, Wiring according to the label 				
Step 2, Put the Part D into Part C endcap appropriately.		Step 3, Fix the nut tightly.		



Feed-In endcap YM/P023



Ending Endcap YM/P024



Bracket SL-507-346



Hanging Clip TM/P029